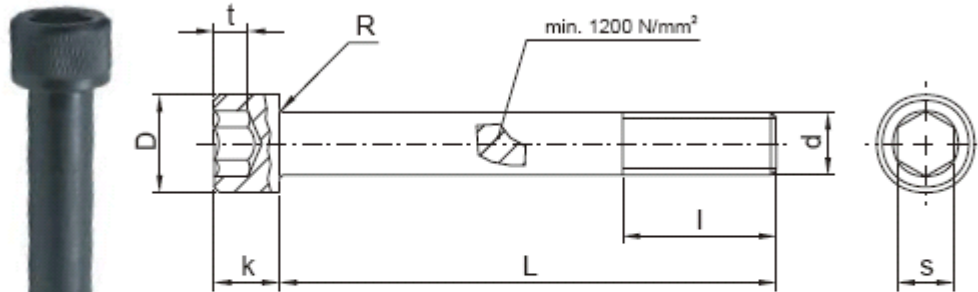


KUUSIOKOLORUUVI, tyyppi SM

SM



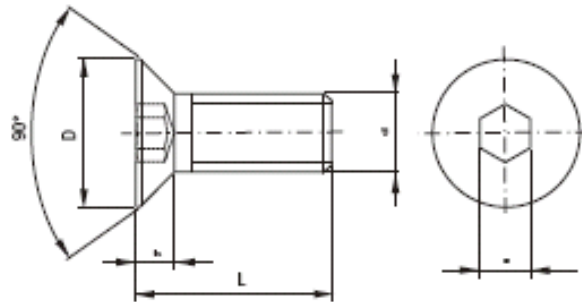
| d | D | s | k | t | l | R |
|-----|----|----|----|----|----|------|
| M6 | 10 | 5 | 6 | 3 | 24 | 0,25 |
| M8 | 13 | 6 | 8 | 4 | 28 | 0,4 |
| M10 | 16 | 8 | 10 | 5 | 32 | 0,6 |
| M12 | 18 | 10 | 12 | 6 | 38 | 0,6 |
| M16 | 24 | 14 | 16 | 8 | 44 | 0,8 |
| M20 | 30 | 17 | 20 | 10 | 52 | 0,8 |
| M24 | 36 | 19 | 24 | 12 | 60 | 0,8 |

kl. 12.9

| L | NR KAT. | | | | | | | L |
|-----|----------|----------|----------|----------|----------|----------|----------|-----|
| | d | | | | | | | |
| | M6 | M8 | M10 | M12 | M16 | M20 | M24 | |
| 16 | SM-06016 | SM-08016 | SM-10016 | | | | | 16 |
| 20 | SM-06020 | SM-08020 | SM-10020 | SM-12020 | | | | 20 |
| 25 | SM-06025 | SM-08025 | SM-10025 | SM-12025 | SM-16025 | | | 25 |
| 30 | SM-06030 | SM-08030 | SM-10030 | SM-12030 | SM-16030 | SM-20030 | | 30 |
| 35 | SM-06035 | SM-08035 | SM-10035 | SM-12035 | SM-16035 | | | 35 |
| 40 | SM-06040 | SM-08040 | SM-10040 | SM-12040 | SM-16040 | SM-20040 | SM-24040 | 40 |
| 45 | SM-06045 | SM-08045 | SM-10045 | SM-12045 | SM-16045 | SM-20045 | | 45 |
| 50 | SM-06050 | SM-08050 | SM-10050 | SM-12050 | SM-16050 | SM-20050 | SM-24050 | 50 |
| 55 | SM-06055 | SM-08055 | SM-10055 | SM-12055 | SM-16055 | SM-20055 | | 55 |
| 60 | SM-06060 | SM-08060 | SM-10060 | SM-12060 | SM-16060 | SM-20060 | SM-24060 | 60 |
| 65 | SM-06065 | SM-08065 | SM-10065 | SM-12065 | SM-16065 | SM-20065 | | 65 |
| 70 | SM-06070 | SM-08070 | SM-10070 | SM-12070 | SM-16070 | SM-20070 | SM-24070 | 70 |
| 75 | SM-06075 | SM-08075 | SM-10075 | SM-12075 | SM-16075 | | | 75 |
| 80 | SM-06080 | SM-08080 | SM-10080 | SM-12080 | SM-16080 | SM-20080 | SM-24080 | 80 |
| 90 | SM-06090 | SM-08090 | SM-10090 | SM-12090 | SM-16090 | SM-20090 | SM-24090 | 90 |
| 100 | SM-06100 | SM-08100 | SM-10100 | SM-12100 | SM-16100 | SM-20100 | SM-24100 | 100 |
| 110 | SM-06110 | SM-08110 | SM-10110 | SM-12110 | SM-16110 | SM-20110 | SM-24110 | 110 |
| 120 | SM-06120 | SM-08120 | SM-10120 | SM-12120 | SM-16120 | SM-20120 | SM-24120 | 120 |
| 130 | SM-06130 | SM-08130 | SM-10130 | SM-12130 | SM-16130 | SM-20130 | SM-24130 | 130 |
| 140 | SM-06140 | SM-08140 | SM-10140 | SM-12140 | SM-16140 | SM-20140 | SM-24140 | 140 |
| 150 | | SM-08150 | SM-10150 | SM-12150 | SM-16150 | SM-20150 | SM-24150 | 150 |
| 160 | SM-06160 | SM-08160 | SM-10160 | SM-12160 | SM-16160 | SM-20160 | SM-24160 | 160 |
| 170 | | | | SM-12170 | SM-16170 | SM-20170 | | 170 |
| 180 | SM-06180 | SM-08180 | SM-10180 | SM-12180 | SM-16180 | SM-20180 | SM-24180 | 180 |
| 190 | | | | | SM-16190 | SM-20190 | | 190 |
| 200 | SM-06200 | SM-08200 | SM-10200 | SM-12200 | SM-16200 | SM-20200 | SM-24200 | 200 |
| 220 | | SM-08220 | SM-10220 | SM-12220 | SM-16220 | SM-20220 | SM-24220 | 220 |
| 240 | | | SM-10240 | SM-12240 | SM-16240 | SM-20240 | SM-24240 | 240 |
| 260 | | | SM-10260 | SM-12260 | SM-16260 | SM-20260 | SM-24260 | 260 |
| 280 | | | SM-10280 | SM-12280 | SM-16280 | SM-20280 | SM-24280 | 280 |
| 300 | | | | | SM-16300 | SM-20300 | SM-24300 | 300 |
| 320 | | | | | | SM-20320 | | 320 |
| 340 | | | | | SM-16340 | SM-20340 | SM-24340 | 340 |
| 360 | | | | | | | | 360 |
| 380 | | | | | SM-16380 | | | 380 |
| 400 | | | | | | | | 400 |
| 420 | | | | | SM-16420 | | | 420 |

SENKKIKANTARUUVI, tyyppi WK

SET SCREW

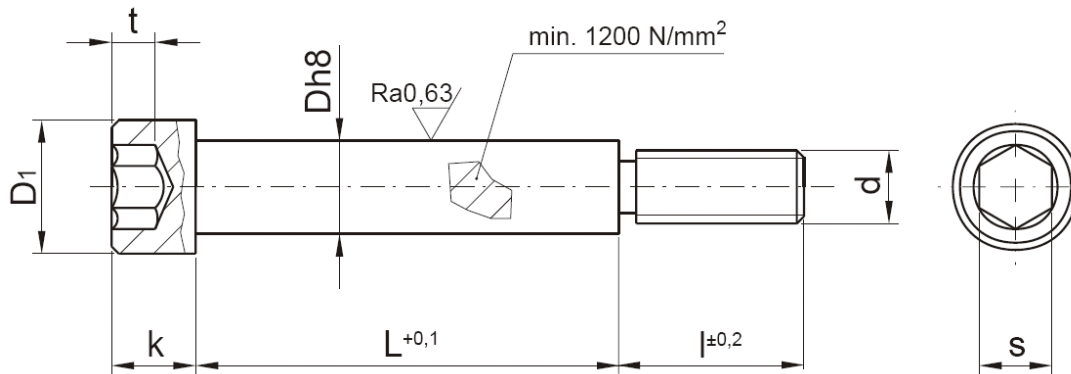


| d | L | D | k | s | NR KAT. |
|----|----|----|-----|-----|----------|
| M4 | 8 | 8 | 2,3 | 2,5 | WK -0408 |
| | 10 | | | | WK -0410 |
| | 12 | | | | WK -0412 |
| | 16 | | | | WK -0416 |
| | 20 | | | | WK -0420 |
| M5 | 8 | 10 | 2,8 | 3 | WK -0508 |
| | 10 | | | | WK -0510 |
| | 12 | | | | WK -0512 |
| | 14 | | | | WK -0514 |
| | 16 | | | | WK -0516 |
| M6 | 12 | 12 | 3,3 | 4 | WK -0612 |
| | 16 | | | | WK -0616 |
| | 20 | | | | WK -0620 |
| | | | | | |

| d | L | D | k | s | NR KAT. |
|-----|----|----|-----|---|----------|
| M6 | 25 | 12 | 3,3 | 4 | WK -0625 |
| | 30 | | | | WK -0630 |
| M8 | 12 | 16 | 4,4 | 5 | WK -0812 |
| | 16 | | | | WK -0816 |
| | 20 | | | | WK -0820 |
| | 25 | | | | WK -0825 |
| M10 | 30 | 20 | 5,5 | 6 | WK -0830 |
| | 20 | | | | WK -1020 |
| | 30 | | | | WK -1030 |
| M12 | 20 | 24 | 6,5 | 8 | WK -1220 |
| | 30 | | | | WK -1230 |
| | 35 | | | | WK -1235 |

OLAKERUUVI, tyyppi PSM

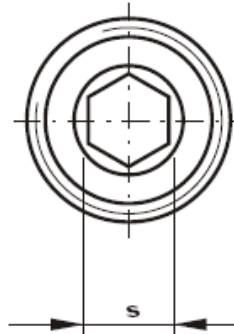
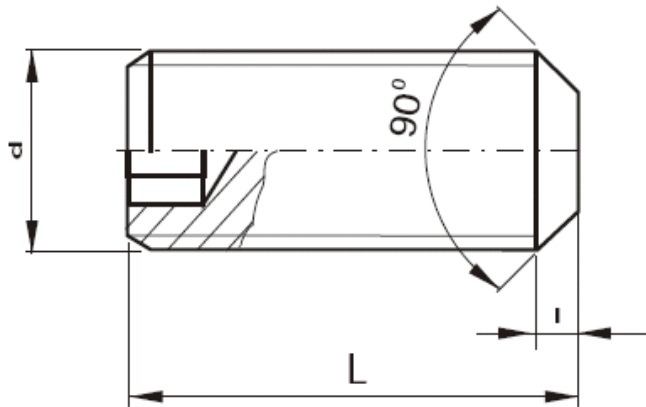
PSM



| d | D | D1 | l | k | s | t |
|-----|----|----|-----|-----|----|----|
| M5 | 6 | 10 | 9,5 | 4,5 | 3 | 2 |
| M6 | 8 | 13 | 11 | 5,5 | 4 | 3 |
| M8 | 10 | 16 | 13 | 7 | 5 | 4 |
| M10 | 12 | 18 | 16 | 9 | 6 | 5 |
| M12 | 16 | 24 | 18 | 11 | 8 | 6 |
| M16 | 20 | 30 | 22 | 14 | 10 | 8 |
| M20 | 24 | 36 | 27 | 16 | 12 | 10 |

| L | NR KAT. | | | | | | | L |
|-----|-----------|-----------|-----------|-----------|-----------|-----------|-----------|-----|
| | d | | | | | | | |
| | M5 | M6 | M8 | M10 | M12 | M16 | M20 | |
| 10 | PSM-05010 | | | | | | | 10 |
| 12 | PSM-05012 | PSM-06012 | | | | | | 12 |
| 16 | PSM-05016 | PSM-06016 | PSM-08016 | PSM-10016 | | | | 16 |
| 20 | PSM-05020 | PSM-06020 | PSM-08020 | PSM-10020 | | | | 20 |
| 25 | PSM-05025 | PSM-06025 | PSM-08025 | PSM-10025 | | | | 25 |
| 30 | PSM-05030 | PSM-06030 | PSM-08030 | PSM-10030 | PSM-12030 | | | 30 |
| 40 | PSM-05040 | PSM-06040 | PSM-08040 | PSM-10040 | PSM-12040 | PSM-16040 | | 40 |
| 50 | | PSM-06050 | PSM-08050 | PSM-10050 | PSM-12050 | PSM-16050 | PSM-20050 | 50 |
| 60 | | | PSM-08060 | PSM-10060 | PSM-12060 | PSM-16060 | PSM-20060 | 60 |
| 70 | | | PSM-08070 | PSM-10070 | PSM-12070 | PSM-16070 | PSM-20070 | 70 |
| 80 | | | PSM-08080 | PSM-10080 | PSM-12080 | PSM-16080 | PSM-20080 | 80 |
| 90 | | | | PSM-10090 | PSM-12090 | PSM-16090 | PSM-20090 | 90 |
| 100 | | | | PSM-10100 | PSM-12100 | PSM-16100 | PSM-20100 | 100 |
| 120 | | | | | PSM-12120 | PSM-16120 | PSM-20120 | 120 |

KUUSIOKOLORUUVI, SUORA, tyyppi WKA



DIN 913-45H

| d | s | l | L | NR KAT. | d | s | l | L | NR KAT. | | | |
|----|----------|------|----------|----------|------|----------|----------|-----|----------|-----|----|----------|
| M3 | 1,5 | 0,5 | 6 | WKA-0306 | M8 | 4 | 1,25 | 12 | WKA-0812 | | | |
| | | | 8 | WKA-0308 | | | | 16 | WKA-0816 | | | |
| M4 | 2 | 0,75 | 6 | WKA-0406 | | | | 20 | WKA-0820 | | | |
| | | | 8 | WKA-0408 | | | | 30 | WKA-0830 | | | |
| | | | 10 | WKA-0410 | | | | M10 | 5 | 1,5 | 10 | WKA-1010 |
| 12 | WKA-0412 | 12 | WKA-1012 | | | | | | | | | |
| M5 | 2,5 | 0,75 | 6 | WKA-0506 | 16 | WKA-1016 | | | | | | |
| | | | 8 | WKA-0508 | 20 | WKA-1020 | | | | | | |
| | | | 10 | WKA-0510 | 30 | WKA-1030 | | | | | | |
| | | | 12 | WKA-0512 | 40 | WKA-1040 | | | | | | |
| M6 | 3 | 1 | 6 | WKA-0606 | M12 | 6 | 1,75 | 12 | WKA-1212 | | | |
| | | | 8 | WKA-0608 | | | | 16 | WKA-1216 | | | |
| | | | 10 | WKA-0610 | | | | 20 | WKA-1220 | | | |
| | | | 12 | WKA-0612 | | | | 30 | WKA-1230 | | | |
| | | | M8 | 4 | 1,25 | 6 | WKA-0616 | M16 | 8 | 2 | 40 | WKA-1240 |
| | | | | | | 8 | WKA-0808 | | | | 20 | WKA-1620 |
| 10 | WKA-0810 | 30 | | | | WKA-1630 | | | | | | |
| | | 40 | WKA-1640 | | | | | | | | | |