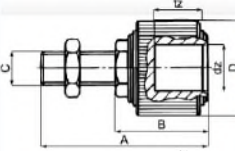
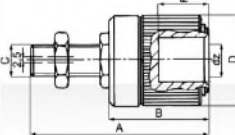
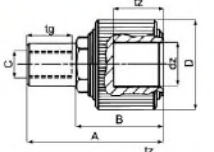
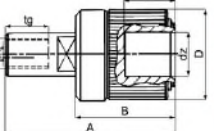


Size group 3 M24 – 36

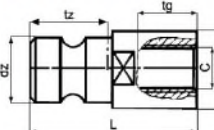
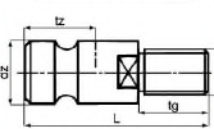

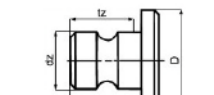
outer close

Execution	Dimension	Order.-No.	C	tg	A	B	D	dz	tz
WAK internal thread		WAK-III-24	M24	150	80		ø75	ø42	50
		WAK-III-30	M30	150	80		ø75	ø42	50
		WAK-III-36	M36	150	80		ø75	ø42	50
WAKA axial balance of the thread		WAKA-III-24	M24	165	98		ø75	ø42	50
		WAKA-III-30	M30	165	98		ø75	ø42	50
		WAKA-III-36	M36	165	98		ø75	ø42	50

internal thread

Execution	Dimension	Order.-No.	C	tg	A	B	D	dz	tz
WAKJ internal thread		WAKJ-III-24	M2440	125	80		ø75	ø42	50
		WAKJ-III-30	M3040	125	80		ø75	ø42	50
		WAKJ-III-36	M3640	125	80		ø75	ø42	50
WAKJA axial balance of the thread		WAKJA-III-24	M2440	150	95		ø75	ø42	50
		WAKJA-III-30	M3040	150	95		ø75	ø42	50
		WAKJA-III-36	M3640	150	95		ø75	ø42	50

ejector-tap

Execution	Dimension	Order.-No.	C	L	D	tg	dz	tz
ASZ with internal thread		ASZ-III-20	M20	85	ø44	35	ø42	50
		ASZ-III-24	M24	100	ø44	35	ø42	50
		ASZ-III-30	M30	100	ø44	40	ø42	50
ASZA with external thread		ASZA-III-20	M20	100	ø44	40	ø42	50
		ASZA-III-24	M24	100	ø44	40	ø42	50
		ASZA-III-30	M30	100	ø44	40	ø42	50
AST knockout bars		AST-24/150	X	150	ø24	X	ø42	50
		AST-24/260	X	260	ø24	X	ø42	50
		AST-25/320	X	320	ø24	X	ø42	50
ASBZ blind-tap		ASBZ-III	X	60	ø65	X	ø42	50